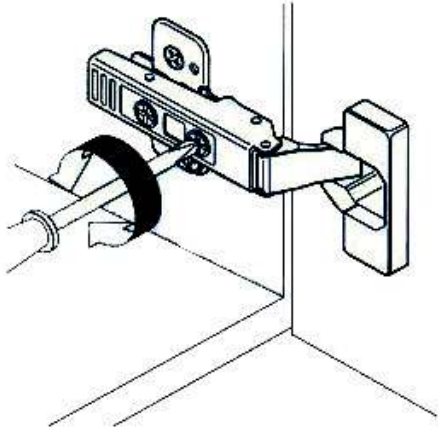


Sideways Adjustments:

This adjustment system allows the door to be moved sideways without changing the gap behind the door.



-1.5mm to + 4.5mm (series 200 & 700)  
-0.5mm to + 5.5mm (series F and 400)

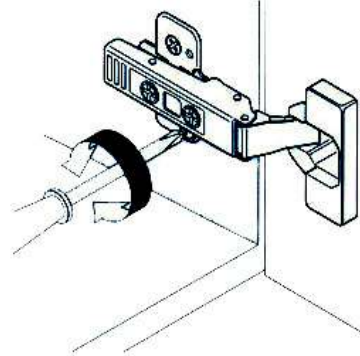
The adjustment screw operates in conjunction with the inner leaf of the hinge arm.

The door moves in only one direction—parallel to the case and without a gap developing between the door and the carcass.

No further adjustments are necessary. There is no gap to reduce.

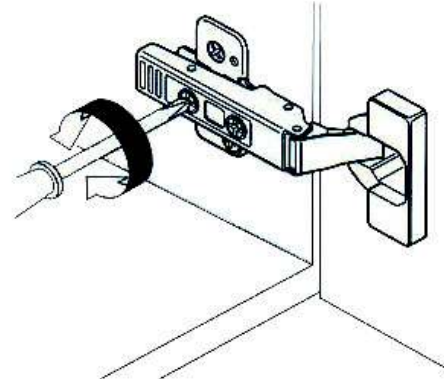
Height Adjustment

By loosening the two fixing screws it is possible to adjust the door vertically by  $\pm 2$ mm. The oval holes allow the mounting plate to slide freely in both directions. Finally the screws must be retightened.

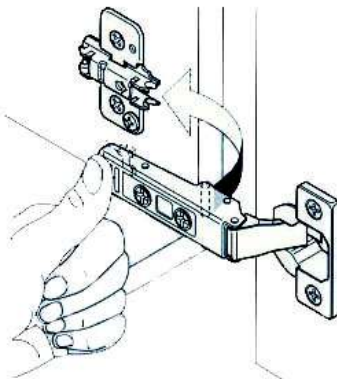


Depth Adjustment

Frontal adjustment is made without loosening any screws. The door can be moved frontally by  $- 0.5 + 2.8$  mm simply by rotating the cam adjuster in this range of mounting plates.

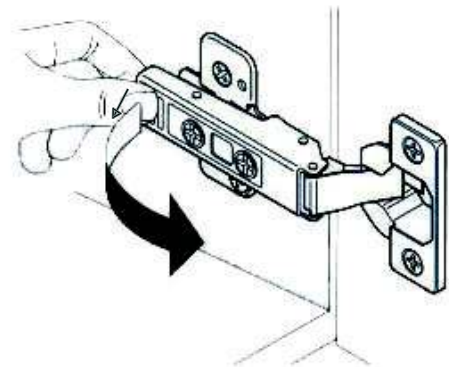


Assembly with Snap-on Mounting Plates



To secure hinge to mounting plate:

1. Locate the lugs on the mounting plate into the recesses beneath the arm.
2. Gently rotate the door in the direction shown.
3. Then press lightly on the end of the arm to secure the catch.



To remove the hinge from the mounting plate:

1. Press gently on the latch at the end of hinge arm to release, as shown.