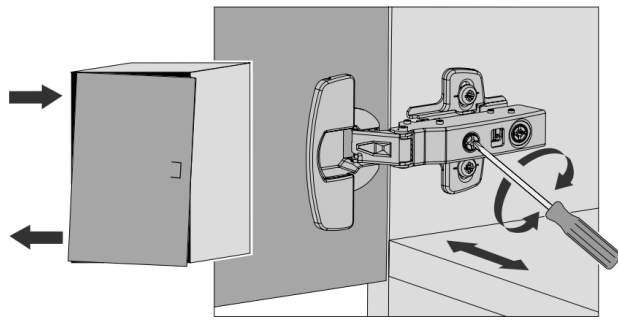


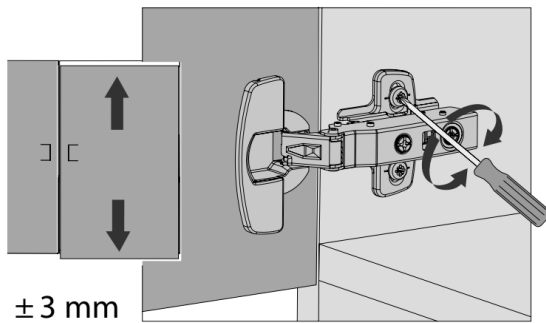
Integrated Soft Close Hinges



Overlay Sideways Adjustments

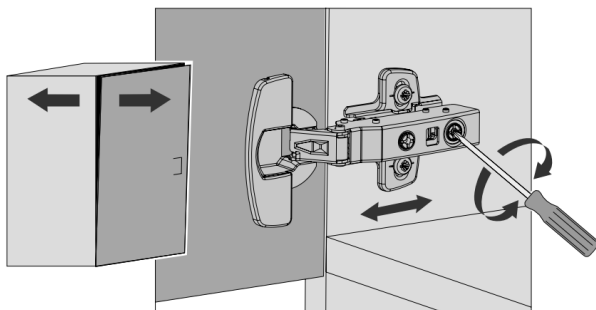
This adjustment system allows the door to be moved sideways without changing the gap behind the door.

Turn screw clockwise: Door overlay decreases (-). Turn screw counter clockwise: Door overlay increases (+).



Height Adjustment

Undo the fixing screws a short distance and adjust height of door. Once in place, retighten fixing screw. Optionally, the adjustment cam on the mounting plate can be used for aligning door height.



Depth Adjustment

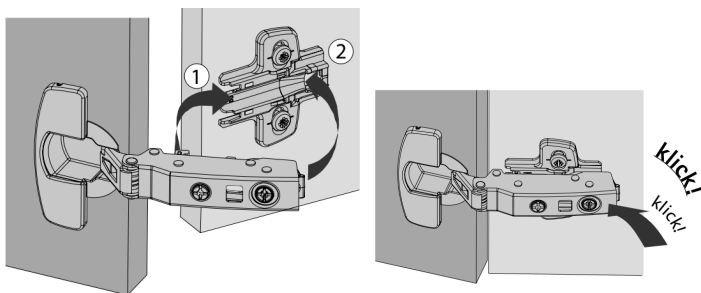
Correct the distance between door and cabinet side by turning the adjustment cam.

Turn counter clockwise to increase distance.

Turn clockwise to decrease distance.

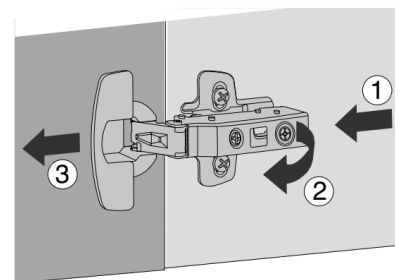


Assembly with Snap -on Mounting Plates



To secure hinge to mounting plate:

1. Hinge is first threaded into the front of the mounting plate.
2. Press on end of hinge arm to engage hinge onto mounting plate. You will hear it click into place.



To remove the hinge from the mounting plate:

1. Press gently on the engagement catch concealed beneath the side arm to release, as shown.
2. Pull hinge arm away from hinge plate
3. Remove door.